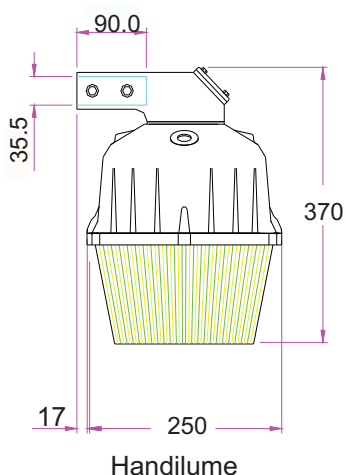


# WADCO HANDILUME POLE MOUNTED

CAST ALUMINIUM BULKHEAD

## APPLICATIONS

- Wharf & port facilities
- Chemical works
- Material handling machines
- Coal Preparation Plants
- Draglines
- Ship Loaders
- Coal handling facilities
- Stacker reclaimers
- Conveyor gantries and walkways
- Conveyors and platforms
- Transfer towers
- Access stairways
- Tunnels
- Sewerage treatment plants
- General security lighting



AUSTRALIAN OWNED COMPANY  
PRODUCTS DESIGNED & MANUFACTURED IN AUSTRALIA

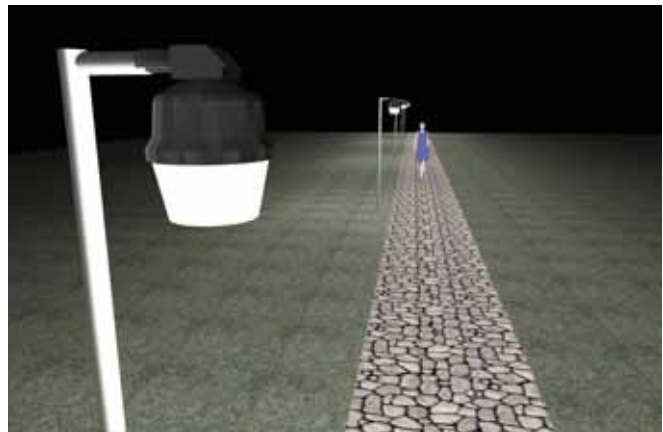


# WADCO HANDILUME POLE MOUNTED

## STANDARD FEATURES

- Tested and constructed for safety and thermal operation in accordance with Australian Standards
- Ambient temperature operation to 48°C
- Low mounting height applications
- Australian made acrylic refractor
- Luminaire body full cast aluminium
- Multiple electrical options (see table)
- Variety of lamp types available
- Range of emergency lighting versions available
- Manufactured in Australia guaranteeing long term availability of parts and services

ELECTRICAL OPTIONS	
DESCRIPTION	ORDERING SUFFIX
FUSED TERMINAL BLOCK	ACC / FTB
DOUBLE POLE SWITCH WITH LEGEND	ACC/DP
HRC FUSE FITTED	ACC/HRC



Realistic Rendered Designs Available To Assist Evaluation



MANUFACTURED IN AUSTRALIA  
BY WADCO LIGHTING

3 Harley Crescent, Condell Park N.S.W 2200 Australia  
P.O Box 127, Condell Park N.S.W 2200 Australia  
Tel: 61 2 9791 9999 Fax: 61 2 9791 9898  
Email: [sales@wadco.com.au](mailto:sales@wadco.com.au) Website: [www.wadco.com.au](http://www.wadco.com.au)

# DATA SHEET

## WADCO HANDILUME

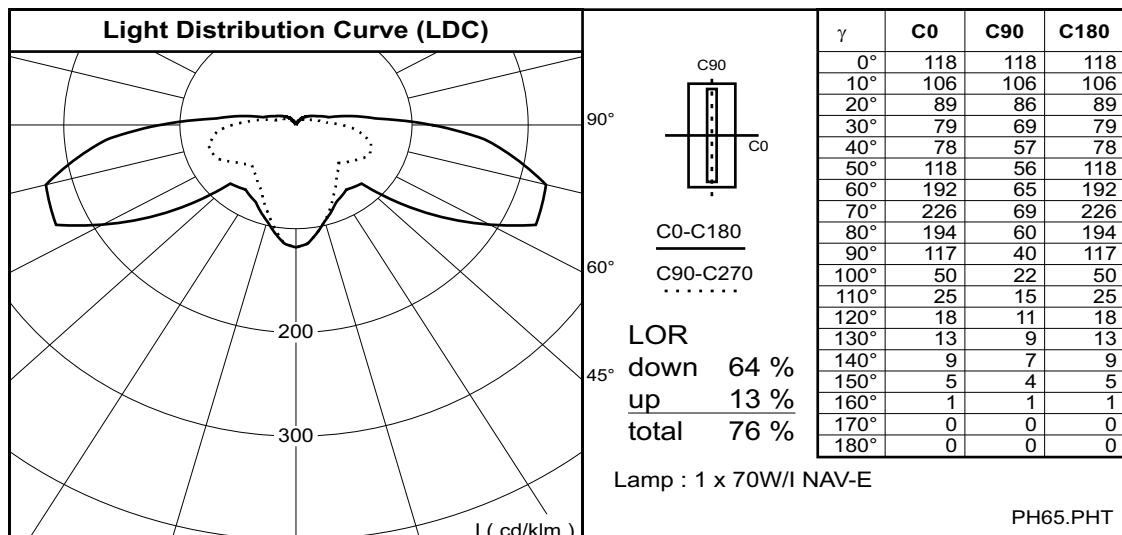
### POLE MOUNTED

#### STANDARD ORDERING CODES

CAT. NO.	WATTS	LAMP TYPE	START CURRENT (AMPS)	RUN CURRENT (AMPS)	WEIGHT (KGS)
HLE70M-I/PM	70	COATED HIGH PRESSURE SODIUM INTERNAL IGNITOR E27/ES BASE	0.62	0.41	5.7
HLE70M-E/PM	70	COATED HIGH PRESSURE SODIUM EXTERNAL IGNITOR E27/ES BASE	0.62	0.41	5.8
HLE110M-I/PM	110	COATED HIGH PRESSURE SODIUM INTERNAL IGNITOR E27/ES BASE	1.05	0.7	4.9
HLE80Y/PM	80	COATED MERCURY VAPOUR E27/ES BASE	0.66	0.46	5.8
HLE125Y/PM	125	COATED MERCURY VAPOUR E27/ES BASE	1.05	0.7	4.9
HLE 2 X 20 PLC/PM	40	TWIN COMPACT INTEGRAL ELECTRONIC FLUORESCENT PLEC20ES E27/ES BASE	0.22	0.22	4.0
HLE 2X 20 PLC/18ENM/PM (NON MAINTAINED EMERGENCY)	40	NORMAL SUPPLY TWIN COMPACT INTEGRAL ELECTRONIC FLUORESCENT PLC20ES	0.26	0.26	5.1
HLE18ENM/PM (NON MAINTAINED EMERGENCY)	18	COMPACT FLUORESCENT PLC18	0.4	0.4 BATTERY CHARGE	4.0
HLE 42PL/PM	42	COMPACT FLUORESCENT AND ELECTRONIC BALLAST	0.22	0.22	4
HLE 100	100	COATED METAL HALIDE E27/ES BASE	1.5	1.2	5.8

ELECTRICAL DATA IS TYPICAL ONLY AND IS FOR STANDARD REACTOR IGNITOR CONTROL GEAR. ADDITIONAL ELECTRICAL SPECIFICATIONS ARE AVAILABLE ON REQUEST.

**NOTE:** LAMP AND CONTROL GEAR MANUFACTURING TOLERANCES CAN VARY THE ABOVE DATA.



Typical Luminous Intensity Distribution Curve

AUSTRALIAN OWNED COMPANY  
PRODUCTS DESIGNED & MANUFACTURED IN AUSTRALIA

